

*Chieftain 2100X 3 Deck  
Technical Specification*



**INTRODUCING THE  
CHIEFTAIN 2100X / 3 DECK  
TECHNICAL SPECIFICATION**



All specifications subject to change without prior notice.

# Chieftain 2100X 3 Deck Technical Specification

## FEATURES

- Total weight 37,200kg (41 US ton) ESTIMATED
- Total weight (Vibrating grid) 39,450kg (44 US ton) ESTIMATED
- Length (transport) 12FT 17.4m (57'-1")
- Width (transport) 3.00m (9'-10")
- Height (transport) 3.45m (11'-4")
- Hopper capacity 8.0m<sup>3</sup>
- Screenunit 3 deck, grease filled, 2 bearing system  
Top & middle deck - 6.1m x 1.55m (20' x 5')  
Bottom deck - 5.55m x 1.5m (18'x 5')
- Powerunit 97kW (130HP) @ 2200rpm.

## ADVANTAGES



- High capacity up to -500 TPH, (depending on mesh sizes and material type).
- Quick set up time typically under 15 minutes.
- Maximum mobility with heavy duty, low ground pressure crawler tracks.
- Optional tri-axle bogie system allows the track machine to be transported without the need for a low loader.
- Removable heavy duty pendant remote control system.
- Optional radio control system available if required at extra cost.
- High performance hydraulic system – Cast iron pumps and motors c/w hydraulic oil cooler.
- Angle adjustable tipping grid with radio control double acting tipping grid rams.
- Low profile Single and double deck Vibrating Grid option with remote control tipping. Angle adjustable and fully riveted construction.

# *Chieftain 2100X 3 Deck Technical Specification*

## **APPLICATIONS**

- Sand and gravel
- Topsoil
- Coal
- Crushed stone
- Recycling
- Iron Ore

## **Hopper & Grid:**



- Adjustable angle tipping grid with integral loading and wing plates
- Grid opening 3.57m x 1.8m (11'-9" x 5'-11")
- Grid aperture: 102mm (4")
- Target area: 4.3 x 1.8m (14'-1" x 5'-11")
- Hopper capacity: 8.0m<sup>3</sup>

# *Chieftain 2100X 3 Deck Technical Specification*

## **Screenunit:**



3 deck, grease filled, 2 bearing system, Top and Middle decks 6.1m x 1.55m (20' x 5'), Bottom Deck 5.55m x 1.5m (18'x5')

## **Feed Conveyor:**

1200mm (48") wide direct feed conveyor with direct drive system & hydraulic variable speed control

## **Main Conveyor:**



1050mm (42") wide hydraulically adjustable conveyor, fully skirted & sealed to prevent spillage.

## ***Chieftain 2100X 3 Deck Technical Specification***

### ***Tail Conveyor:***



- 1200mm (48") wide hydraulically folding tail conveyor
- 4.28m (14') stockpile height @ 24 degrees. (Measured to drum centre)
- 5.0m (16' – 5") stockpile height @ 30 degrees. (Measured to drum centre)

### ***Side Conveyors:***



- 800mm (32") wide, hydraulically folding side conveyors with individual, variable speed control:
- 5.04m (16' – 6") stockpile height. (Measured to drum centre)

# Chieftain 2100X 3 Deck Technical Specification

## Auxiliary Conveyor:



- 650mm (26") wide hydraulically folding auxiliary conveyor
- 4.4m (14' - 5") stockpile height. (Measured to drum centre)
- Patent Pending

## Powerunit & Hydraulics:



- Diesel engine: 97kW (130HP) @ 2200rpm.
- Flywheel pump1: 63cc/rev and 33cc/rev and 33cc/rev
- PTO pump1: 23cc/rev each circuit
- PTO pump2: 14cc/rev
- Feeder Motor: 160cc/rev
- Main conveyor Motor: 500cc/rev
- Tail Conveyor Motor: 500cc/rev
- Side Conveyor Motor: 400cc/rev
- Screen Motor: 80cc/rev

All specifications subject to change without prior notice.

# Chieftain 2100X 3 Deck Technical Specification

## Tank Capacities:



Hydraulic tank: 564 L (124 Gal)  
Diesel tank: 336 L (74 Gal)

## Crawler Track Data:



Tractive Effort = 24260.12 daN  
Gradability Percentage = 58.74%  
Gearbox Ratio = 1:153  
Hydraulic Motor = 90 cc/rev  
Approximate Speed = 0.61 Km/hr (0.61 Mph)

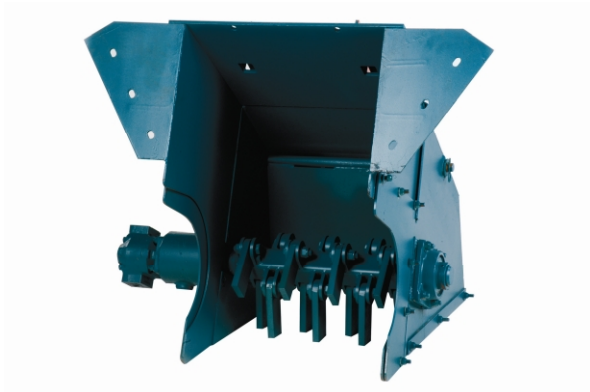
# *Chieftain 2100X 3 Deck Technical Specification*

## *Vibrating Grid Option*



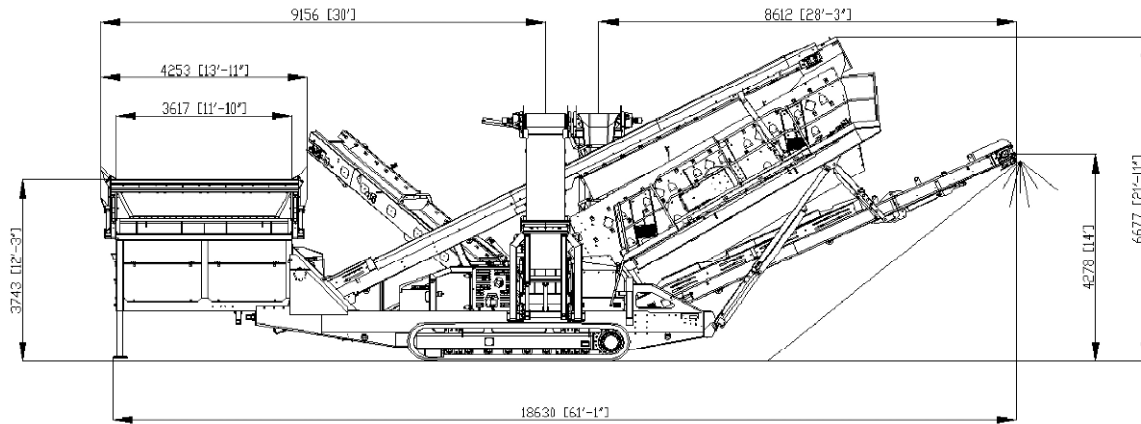
Screen size:	3.05m x 2.14m (10' x 7').
Working angle:	10° to 20° adjustable.
Tip angle:	45° maximum.
Motor:	58.7cc/rev
Circuit:	Coupled to main conveyor circuit.
Transport height:	3.55m

## *Options*

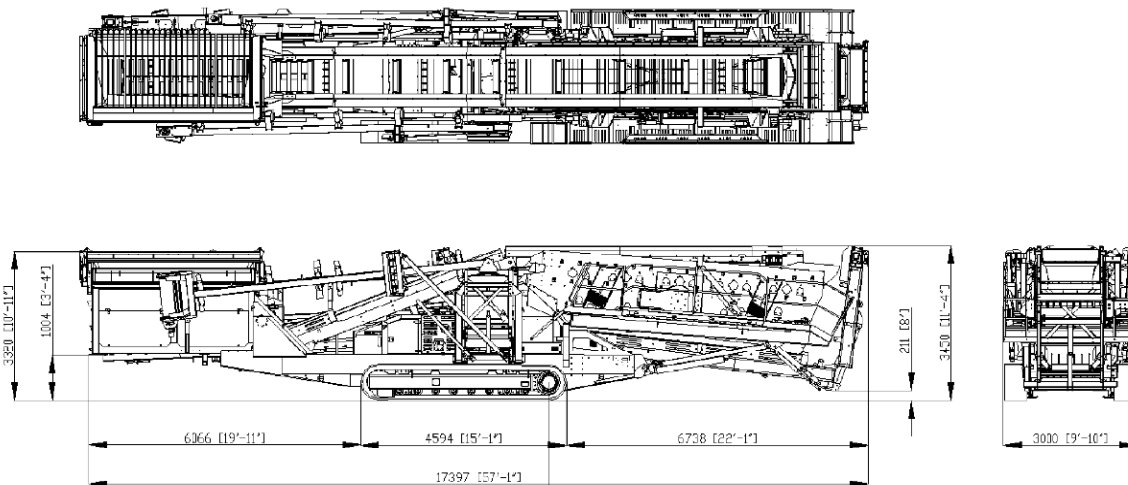


Hydraulic screen tensioning  
12ft or 14ft hopper  
Single or Double deck vibrating grizzly  
Shredder  
4<sup>th</sup> Recirculation conveyor attached for transport  
Radio control tracking  
Wheel bogie for track machine  
Hydraulic jacking legs  
Rinser

# *Chieftain 2100X 3 Deck Technical Specification*



**CHIEFTAIN 2100X – WORKING DIMENSIONS**



**CHIEFTAIN 2100X – TRANSPORT DIMENSIONS**

The material in this document is for information only and is subject to change without notice. Powerscreen International Distribution Ltd. Assumes no liability resulting from errors or omissions in this document or from the use of the information contained herein. Due to continual product development we reserve the right to change specifications without notice. Photographs are for illustrative purposes only. Some or all of the machines in the illustrations may be fitted with optional extras. Please check with your Dealer for details on optional extras.

Powerscreen International Distribution Ltd.  
200 Coalisland Road  
Dungannon  
Co. Tyrone  
N. Ireland  
BT71 4DR

Tel: +44(0) 28 8774 0701  
Fax: +44(0) 28 8774 6569  
Email: [sales@powerscreen.com](mailto:sales@powerscreen.com)  
Web: [www.powerscreen.com](http://www.powerscreen.com)  
Revised: 02.4.07